

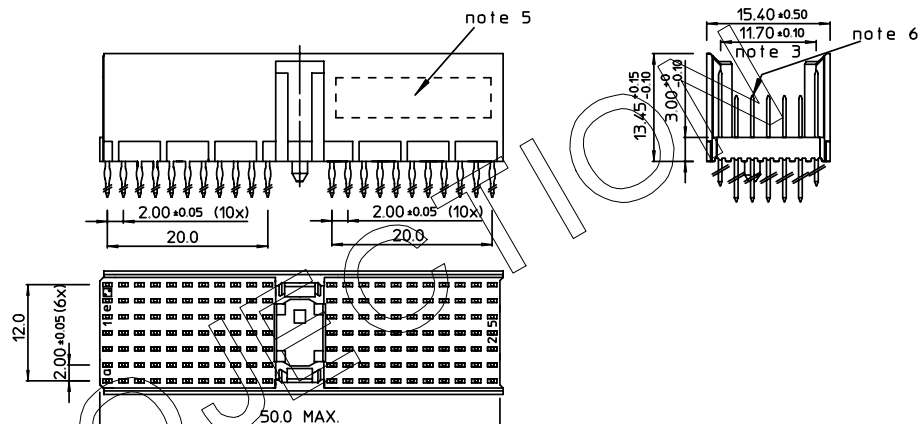
GEN. ST.	01	02	03	04	05	06	07	08	0D	50	60	70	80	90
INT. ST.	10	11	12	13	14	18	20	31	32	33	34	38	39	40

REV.	DATE	DESCRIPTION	BY	C'K'D'
A	2001-09-14	CONVERSION REVISION 02	KH	
B	2002-05-28	EC B20086	MF	
C	2005-10-05	105-0184	ALEX B	BKP
D	2006-08-09	106-0145	ALEX B	BKP

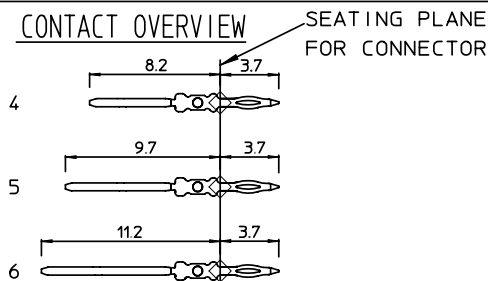
LOADING PATTERN MATING SIDE

f	6	6	6	6	6	6	6	6	6	6													6	6	6	6	6	6	6	6	6	6	6	6	6		
e	5	5	5	5	5	5	5	5	5	5													5	5	5	5	5	5	5	5	5	5	5	5	5	5	
d	5	5	6	5	5	5	6	5	6	5	4												6	5	4	5	6	5	6	5	6	5	5	5	5	5	
c	5	6	5	6	5	5	5	5	5	5													5	5	5	5	5	6	5	6	5	5	5	5	5	5	
b	5	5	5	5	5	5	5	5	5	5													5	5	4	5	5	5	5	5	5	5	5	5	5	5	5
a	5	5	5	5	5	5	5	5	5	5													5	5	5	5	5	5	5	5	5	5	5	5	5	5	5
z	0	0	0	0	0	0	0	0	0	0													0	0	0	0	0	0	0	0	0	0	0	0	0	0	0
SOP																																					

LOADED CONNECTOR ASSEMBLY  
(FOR EXAMPLE)

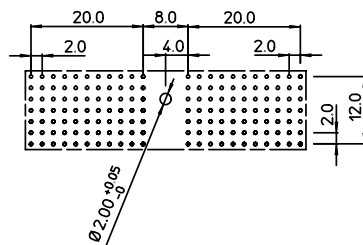


CONTACT OVERVIEW



SEATING PLANE FOR CONNECTOR

LAY-OUT P.C.B.-HOLE



EUROPEAN PRO

HM2P07PDL235

LEAD FREE INDICATOR : LF = LEAD FREE (DIGIT 15 & 16)

PLATING CODE (DIGIT 13 AND 14) (REF DWG No. BS.C ,201844,003)

NOTES:

- THIS PRODUCT IS CSA APPROVED.
- THIS PRODUCT IS UL RECOGNIZED.
- MEASURED AT THE BOTTOM.
- MATERIAL CONTACT: PHOSPHORBRONZE  
HOUSING: CREAM WHITE GLASSFILLED POLYESTER UL-94V0
- CONNECTOR PRINTED WITH P/N AND DATE CODE.
- FOR ACTUAL CONTACT LOADINGS, SEE LOADING PATTERN MATING SIDE.
- SHAPE OF CONNECTOR HOUSING CAN ALTER DEPENDING ON PRODUCTION LOCATION.
- THE PRODUCT (LF) MEETS EUROPEAN UNION DIRECTIVES AND OTHER COUNTRY REGULATIONS AS DESCRIBED IN GS-22-008
- FOR RECOMMENDED PTH DIMENSIONS REFER DRAWING : BS.A ,201572,001

1DEC ±0,2 2DEC ±0,1 ANGLES ±1°	APPR.	DATE	SIGN.	LOADING PATTERN OVERVIEW
	DRAFT	2000-07-27	M.Fret	CAT. No. HM2P07PDL235----
WE RESERVE THE RIGHT TO CHANGE DIMENSIONS OR REQUIREMENTS WITHOUT PRIOR NOTICE.	CHECKED			
	PRD. MGR			
ALL DIMENSIONS IN MM	PR.ENG.MGR			
	PR.MGT.MGR			

REFERENCES

www.fciconnect.com

BS,C ,202788 ,028     D

PDM: Rev:D     STATUS: Released     Printed: Dec 03, 2007